

KTM 690 ENDURO R '19- / SMC R '19-

M O U N T I N G I N S T R U C T I O N S

REF 3586

WINDSHIELD NEW GENERATION SPORT



1 Person



20 min



EASY



DRILL



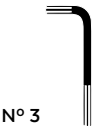
Ø 10mm

TORX



T25

ALLEN



Nº 3

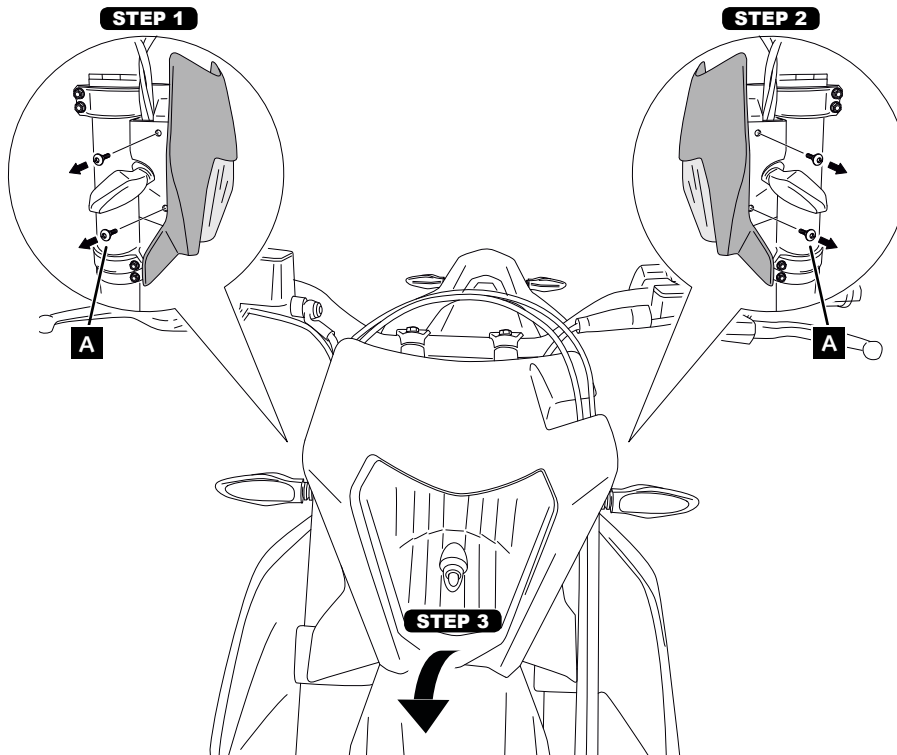
| ID. | PIEZA/PART | DESCRIPCIÓN | DESCRIPTION | QTY. | REF.: |
|-----|---|-----------------------------|--------------------------------|------|-----------------|
| 1 |  | Cúpula SPORT | SPORT windshield | 1 | 3586F/H/W/NM3 |
| 2 |  | Plantilla | Template | 1 | PLANT-----3586 |
| 3 |  | Silentblock M5 | M5 silentblock | 4 | SILENBTM5-046/1 |
| 4 |  | Arandela nylon M5x1 | M5x1 nylon washer | 4 | ARNV0000000245 |
| 5 |  | Tornillo M5x16 Ø11 ISO 7380 | M5x16 Ø11 ISO 7380 Allen screw | 4 | TORNI-I7380-493 |
| 6 |  | Tapón tornillo M5 ISO 7380 | M5 ISO 7380 screw cap | 4 | TAPON-----85 |

KTM 690 ENDURO R '19- / SMC R '19-

INSTRUCCIONES DE MONTAJE - MOUNTING INSTRUCTIONS - MONTAGEANLEITUNG

1

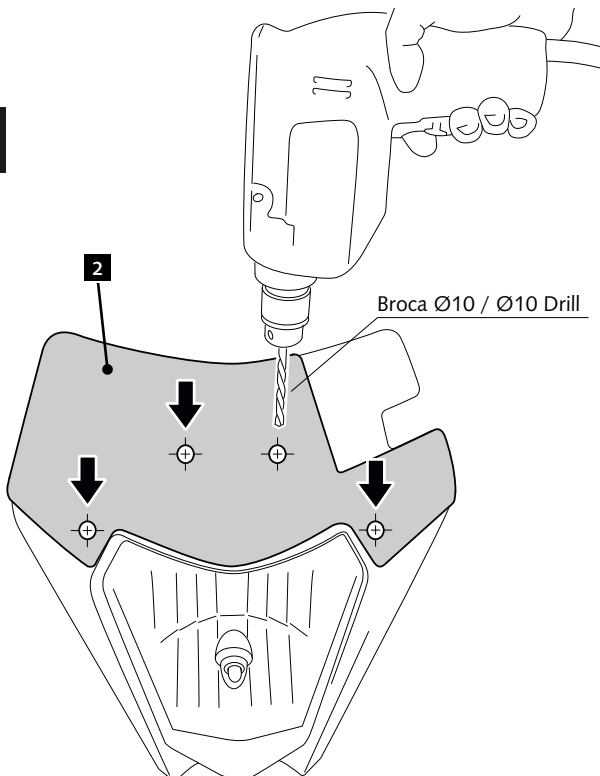
**DISASSEMBLY
DESMONTAJE**



A Tornillería original
Original screw

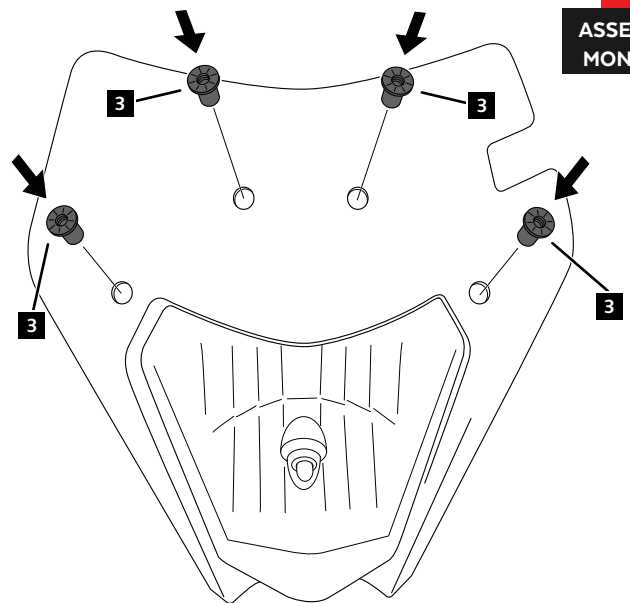
2

**ASSEMBLY
MONTAJE**



3

**ASSEMBLY
MONTAJE**



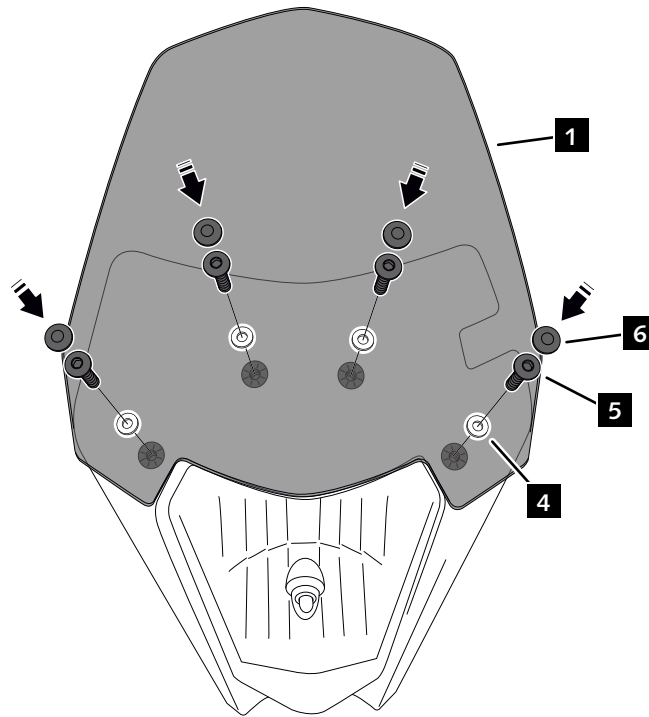
**⚠ DO NOT DRILL ON THE BIKE
(IMPORTANT PARTS BEHIND)**

KTM 690 ENDURO R '19- / SMC R '19-

INSTRUCCIONES DE MONTAJE - MOUNTING INSTRUCTIONS - MONTAGEANLEITUNG

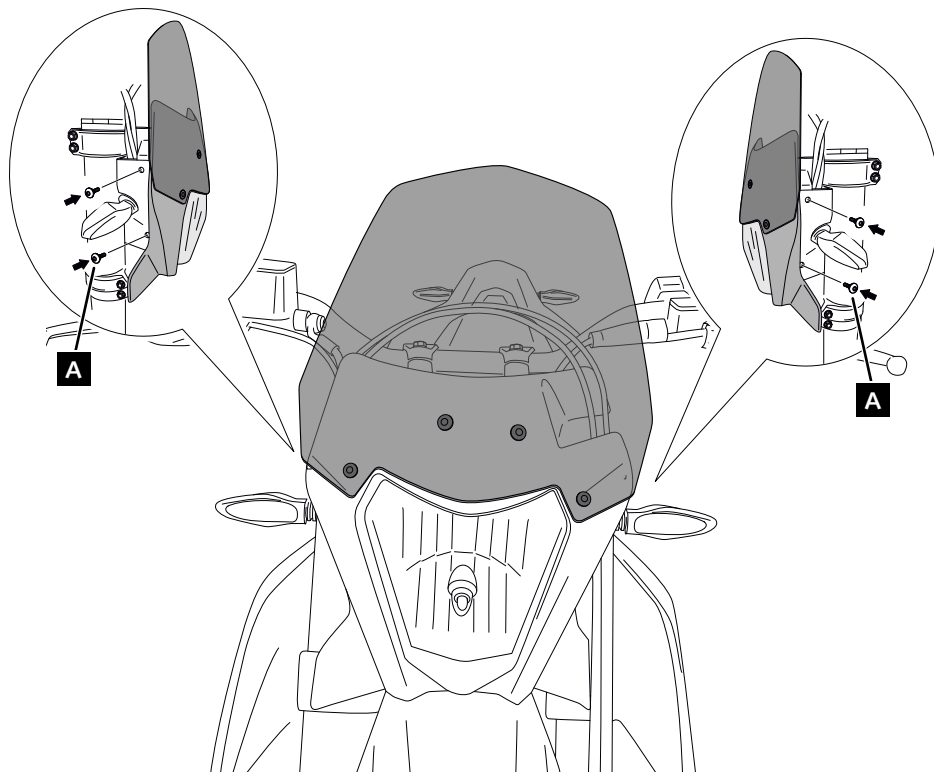
4

ASSEMBLY
MONTAJE



6

ASSEMBLY
MONTAJE



A Tornillería original
Original screw