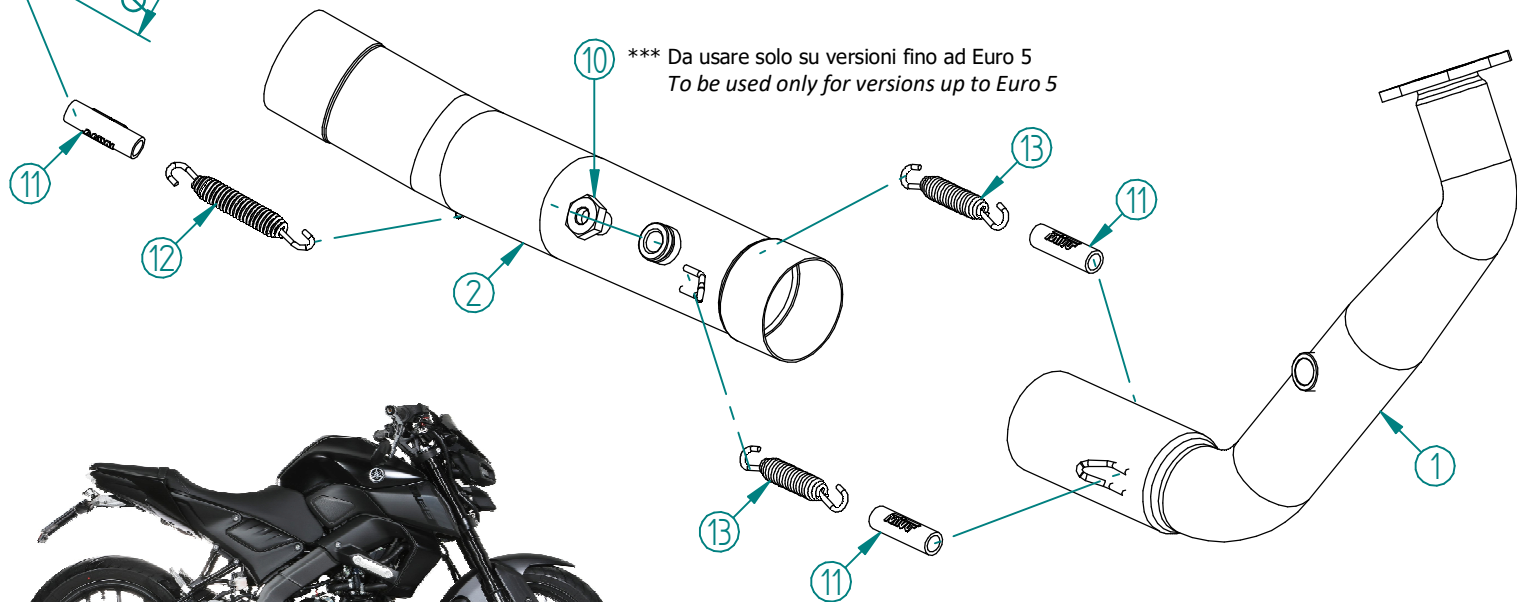


#	DESCRIPTION	PART NUMBER	QTY
1	Tubo collettore / Down pipe	9773Y06752A	1
2	Tubo di raccordo / Link pipe	9773Y06752B	1
3	Silenziatore / Muffler	MK3 Øi 55	1
4	Vite M8x40 / Screw M8x40	50.73.075.1	1
5	Rondella in alluminio nera / Black aluminium washer	50.73.221.1	1
6	Dado M8 flangiato / Flanged nut M8	50.73.393.1	1
7	Vite M8 x 16 / Screw M8 x 16	50.73.098.1	2
8	Rondella di sicurezza / Safety washer	50.73.604.1	2
9	Staffa / Bracket	50.55.1287.0	1
10	Tappo sonda lambda / Lambda probe stopper	50.73.111.1	1
11	Tubo in gomma per molla / Rubber pipe for spring	50.73.210.1	3
12	Molla lunga / Long spring	50.71.080.1	1
13	Molla media / Mid-size spring	50.73.359.1	2



APPLICAZIONI / APPLICATIONS			
CODICE / CODE	SILENZIATORE / MUFFLER	LOGO	TUBO / PIPE
Y.067.SM3C	CARBONIO / CARBON FIBER	ALUMINIUM LABEL	INOX / ST. STEEL
Y.067.SM3X	INOX / ST. STEEL	LASER	