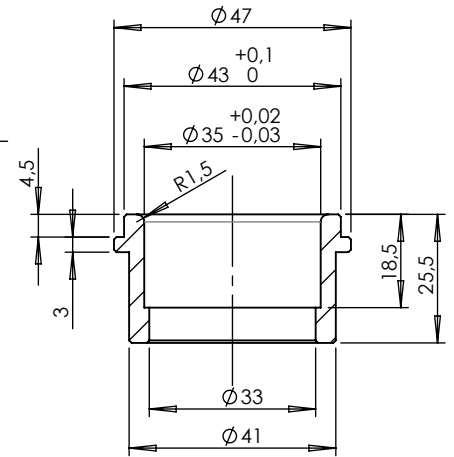
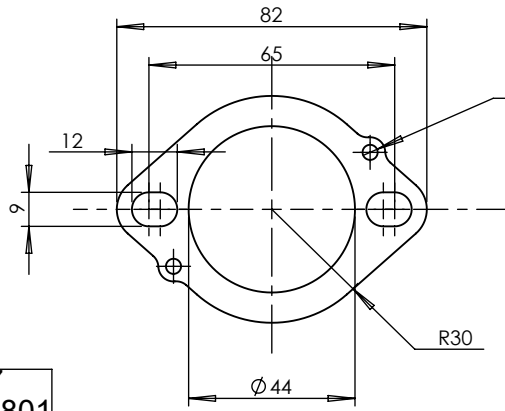


dB-killer n.47  
Cod. 308232801



Knurled screw  
M8x35 Z.B.  
Cod. 200296

Knurled nut M8  
Cod. 200298

e13 10034 9

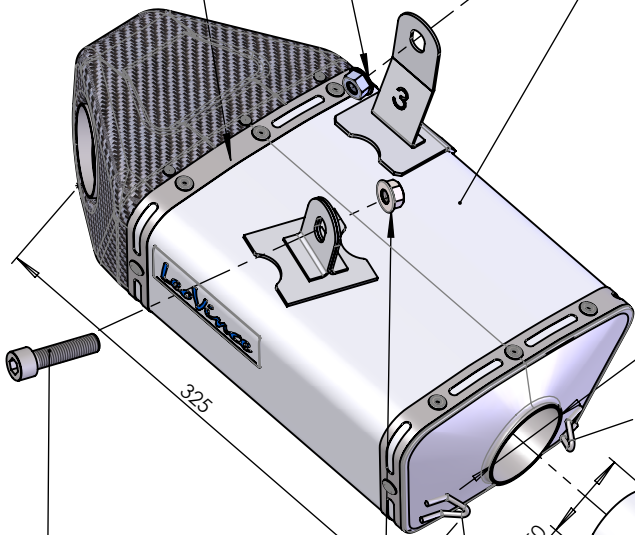
Underbody Silencer  
Cod.3014148471

Gasket  $\varnothing e.17,85 \times \varnothing i. 12,3$   
 $\times h 1,5$  Cod.204091

Lambda Plug:  
M12 x 1,25  
Stainless S.  
Cod.205123

2 Flange "112A"  
Cod. 204569

2 busher  
Cod.204833



Allen screw  
M10x40x1,25  
T.C.E.I. Z.B.  
Cod. 204109

Knurled nut M10x1,25  
Cod. 203039

Pipe 2/1  
Cod. 3014148201

6 Short helical spring  
tensile  
Cod.204387

6 Short tube in  
silicon rubber  
Cod.204412

Pipe DX  
Cod. 3014030202

Pipe SX  
Cod. 3014030201

# ART. 8796

YAMAHA MT07

Full System 2/1 - UNDERBODY - STAINLESS STEEL - APPROVED