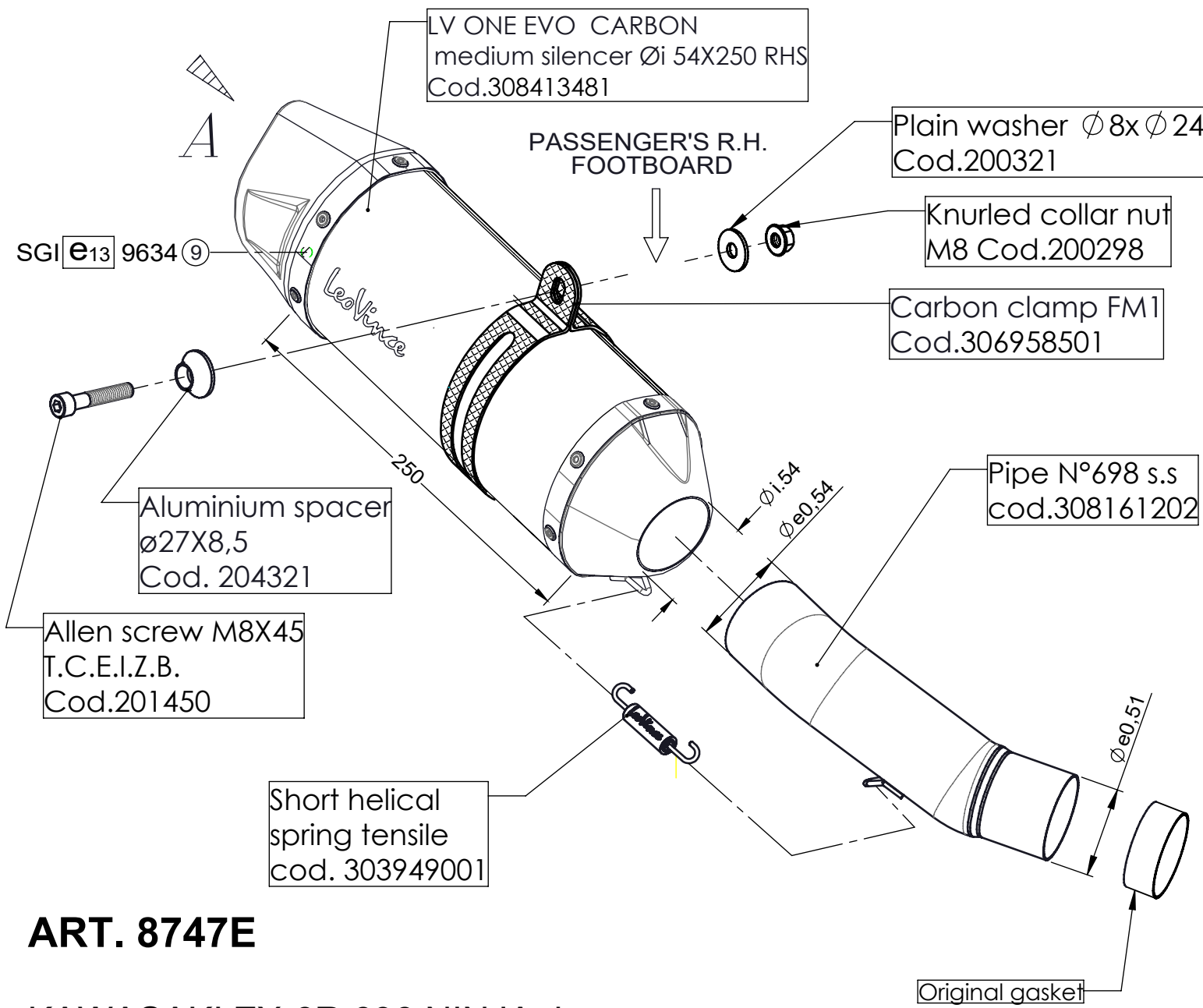


Before remove original silencer, disconnect the the exhaust valve from on control cable; by removing the control cable with the original exhaust, **The valve's servo motor should not be removed or disconnected.**



## ART. 8747E

KAWASAKI ZX-6R 636 NINJA i.e  
KAWASAKI ZX-6R NINJA i.e

SLIP-ON - LV ONE EVO - CARBON - APPROVED