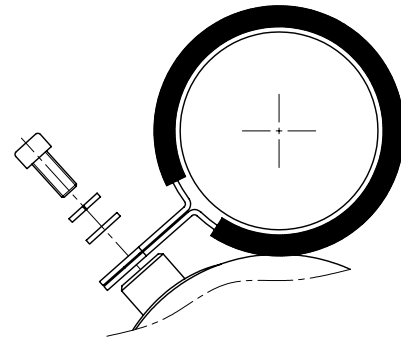
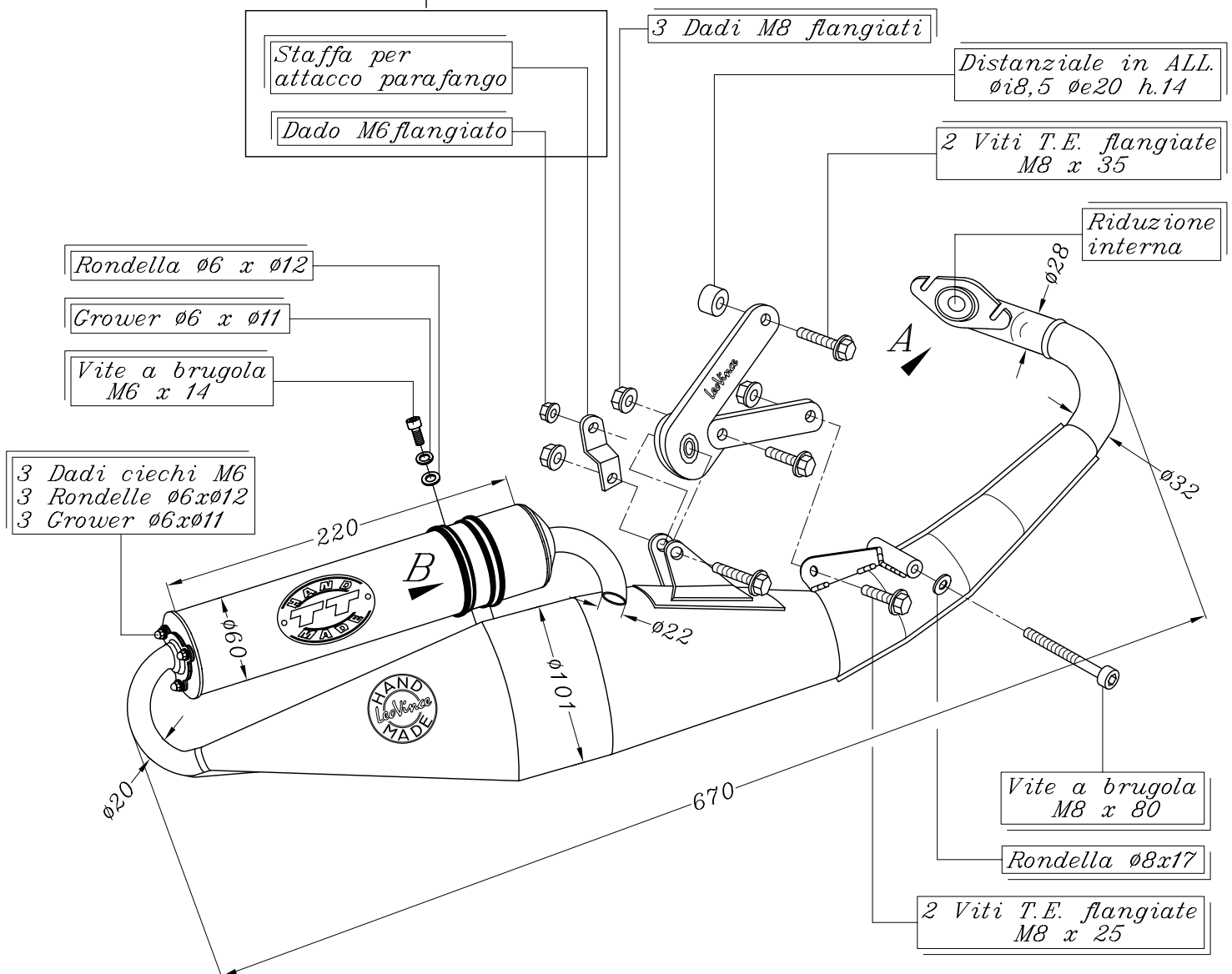


Vista da "A"  
Flangia "99D"

Vista da "B"



NO PER / NOT FOR :  
KYMCO SUPER 8 50 (2 Stroke)



Art. 4048 Silenziatore HAND MADE "TT" per

KYMCO BET & WIN 50 (liquid cooled) \_ DINK 50 ('04 - air/liquid cooled) \_  
PEOPLE 50 ECO KAT ('03/'04) \_ SUPER 9 50 ('04 - air cooled) \_ TOP BOY 50 ON/OFF \_  
VITALITY 50 (fino al 2008) \_ YUP 50 ('04/'05) \_ SUPER 8 50 ('09/'11 - 2-stroke) \_  
AGILITY 50 ('10/'11 - R16 2-stroke) \_ AGILITY CITY 50 ('10 - R16 2-stroke) \_  
SYM EURO-JET 50 ('03/'07)