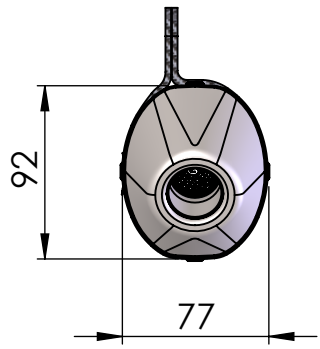


**NB. USE THIS HARDWARE
WITH LEOVINCE
HEADER PIPE ART. 80013**

X-FIGHT MUFFLER LHS
Carbon L=300mm
cod. 3017001472

Carbon clamp FX1
Cod.303828501



Pipe s.s
cod. 3017001201

2x Rubber joint
 $\phi 22 \times \phi 20$
cod. 200284

2x Short helical
spring tensile
cod. 303949001

E13 92R-02 10448

Knurled collar nut
M8 Cod.200298

ORIGINAL FRAME

Aluminium spacer
 $\phi 25 \times 36 \times \phi 10.5$
Cod. 206306

Aluminium spacer
Cod. 204677

**NB. USE THIS HARDWARE
WITH ORIGINAL
HEADER PIPE**

Allen screw M6X14
T.C.Z.B.Cod.200257

Aluminium spacer
 $\phi 27 \times 8,5$
Cod. 204321

S.s bracket
Purch. cod.206590

Allen screw M8X60
T.C.E.I.Z.B.
Cod.200949

Original graphite

Flange
cod.3017001203

Super short spring
cod. 308574001

ART. 17001

DERBI SENDA SM X-TREME/RACING/LIMITED/X-TREME R

APRILIA SX 50 / FACTORY - RX 50 / FACTORY

SLIP-ON - X-FIGHT - CARBON FIBER - APPROVED