

Allen screw M8X50
T.C.E.I.Z.B.
Cod.200461

Aluminium spacer
 ϕ 22X8,5
Cod. 205090

Aluminium spacer
 ϕ 25x ϕ 8,5xH9
Cod. 206366

2x Aluminium spacer
 ϕ e.25- ϕ 17x ϕ 8,5xH8
Cod. 207057

Knurled collar nut
M8 Cod.200298

Plug M18x1.5
Cod.204888

Welded bushing
cod.207056

Gasket
 ϕ 23.85x ϕ 18.3
Cod.202185

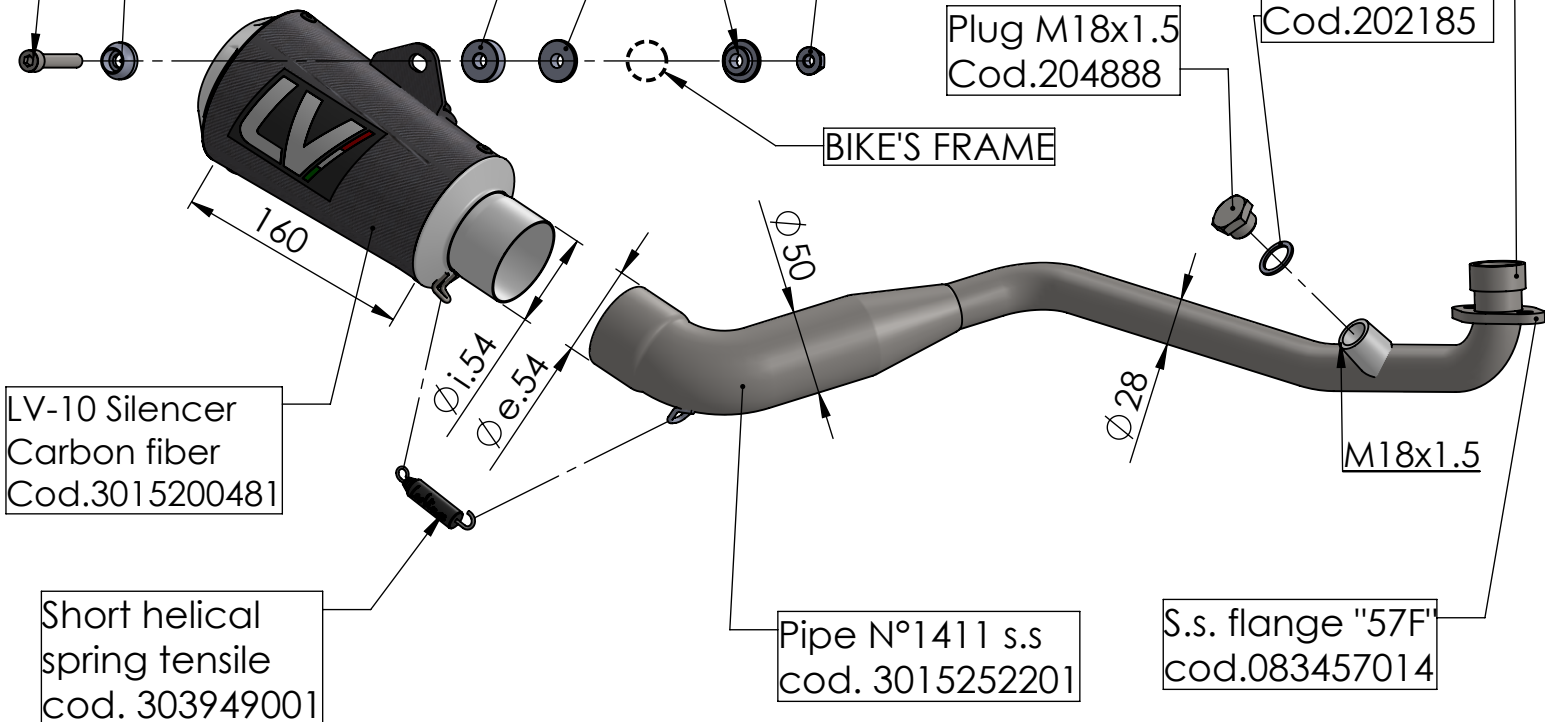
BIKE'S FRAME

LV-10 Silencer
Carbon fiber
Cod.3015200481

Short helical
spring tensile
cod. 303949001

Pipe N°1411 s.s
cod. 3015252201

S.s. flange "57F"
cod.083457014



ART. 15252C

HONDA MSX 125 / GROM

FULL SYSTEM - LV-10 - CARBON