

Allen screw M8X50
T.C.E.I.Z.B.
Cod.200461

Aluminium spacer
 $\phi 22 \times 8,5$
Cod. 205090

Aluminium spacer
 $\phi 25 \times 8,5 \times H9$
Cod. 206366

2x Aluminium spacer
 $\phi e.25 - \phi 17 \times \phi 8,5 \times H8$
Cod. 207057

Knurled collar nut
M8 Cod.200298

Plug M18x1.5
Cod.204888

Welded bushing
cod.207056

Gasket
 $\phi 23.85 \times \phi 18.3$
Cod.202185

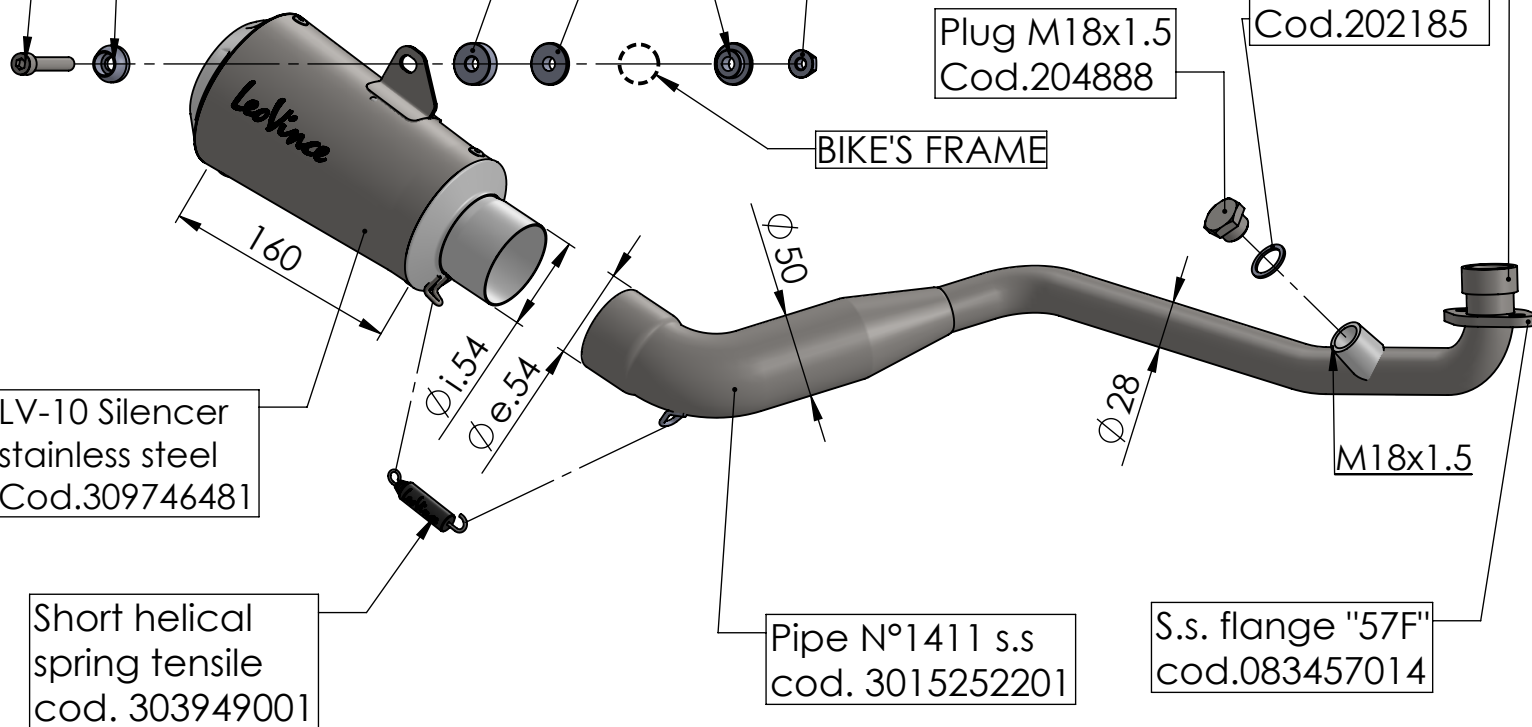
BIKE'S FRAME

LV-10 Silencer
stainless steel
Cod.309746481

Short helical
spring tensile
cod. 303949001

Pipe N°1411 s.s
cod. 3015252201

S.s. flange "57F"
cod.083457014



ART. 15252

HONDA MSX 125 / GROM

FULL SYSTEM - LV-10 - STAINLESS STEEL