

Please, follow instruction supplied to fit valve cod.206609 (thickness 8mm)

Plain washer  
 $\phi 6 \times \phi 18$   
 Cod.200254

Allen screw M6X25  
 T.C.E.I.Z.B.  
 Cod.200586

BIKE'S FRAME

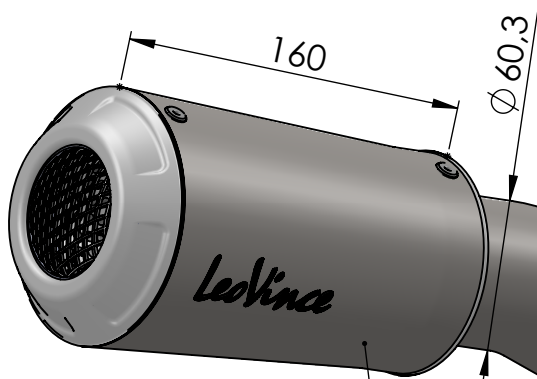
Knurled collar nut  
 M8 Cod.200298

S.s black bracket  
 prod. cod.0815244501  
 purch. cod.206696

2x Welded Brackets  
 cod.206695

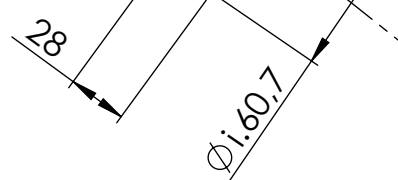
Aluminium spacer  
 $\phi 27 \times 8,5$   
 Cod. 204321

Allen screw M8X20  
 T.C.Z.B.Cod.200722



LV-10 Silencer RHS  
 stainless steel  
 Cod.3015244481

Welded link pipe



Strap in S.s.Ø63  
 Cod.300063530

**WARNING:**  
 REMOVE ORIGINAL  
 GRAPHITE BUSHING

**ART.15244**

HONDA CBR 1000 RR-R FIREBLADE/SP

SLIP-ON - LV-10 - STAINLESS STEEL