

LV-10 Silencer RHS  $\phi 60 \times 160$   
Stainless steel black  
Cod.3015243485

2x Knurled collar  
nut M8  
Cod.200298

S.s black bracket  
Prod. cod.3015243501  
Purch.cod.206667

SECOND POSITION  
WHIC LIFT THE PEGS HIGHER

STANDARD POSITION  
RIGHT HAND FOOTPEG

Aluminium spacer  
 $\phi 27 \times 8,5$   
Cod. 204321

Allen screw  
M8X40 T.C.E.I. Z.B.  
Cod.200993

Welded bushing  
cod.206256

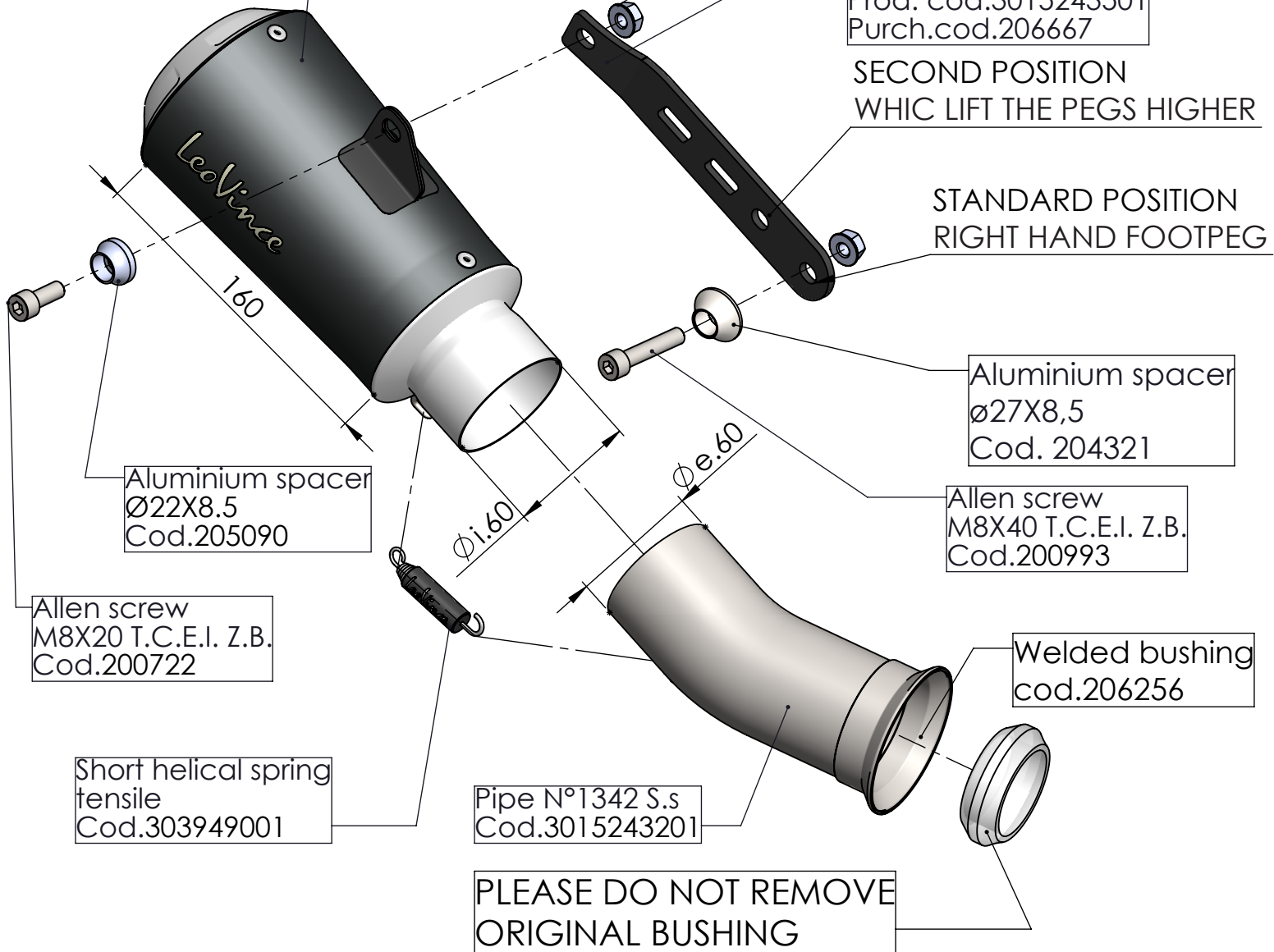
Pipe N°1342 S.s  
Cod.3015243201

PLEASE DO NOT REMOVE  
ORIGINAL BUSHING

Aluminium spacer  
 $\phi 22 \times 8,5$   
Cod.205090

Allen screw  
M8X20 T.C.E.I. Z.B.  
Cod.200722

Short helical spring  
tensile  
Cod.303949001



**ART 15243B**

**KTM 1290 SUPERDUKE R / RR / EVO**

**SLIP-ON - LV-10 - BLACK**