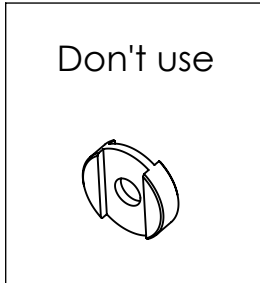


DB-Killer EVO N°52
Cod.308421801



Silencer Factory S
Stainless steel
Cod.308421481

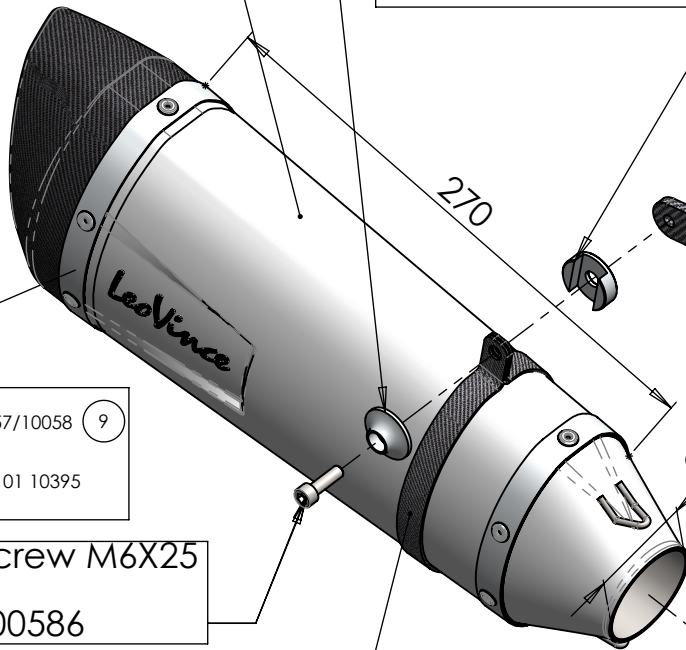
Knurled collar nut M6
Cod.200333

Alluminium spacer
Cod.205767

Alluminium spacer
Cod.205771

Before mounting the carbon bracket, it is necessary to eliminate the original heel guard and the original exhaust bracket; use the original bolts to fasten it to rearset.

Knurled collar nut M8
Cod.200990



270

Carbon Bracket
Cod.0814162001

E13 10057/10058 9
E13 92R-01 10395

Plain Washer 8x17
Cod.200294

Allen screw M6X25
T.C.Z.B.
Cod.200586

Allen screw M8X25
T.C.Z.B.
Cod.200314

Carbon Bracket FR3
Cod.308444501

Pipe N°1095
Cod.3014162201

2 Short helical spring
tensile
Cod.206003

2 Short tube in
silicon rubber
Cod.205961

2 Allen screw
M5X12 T.B.E.I. Cod.201031

2 Plain washer
5x15 Inox Cod.406580

Carbon cover
Cod.0814162001

Strap in stainless
steel Ø57
Cod.300057532

4 Gasket
14x4.9x1.5 Cod.200371

2 Mounting
plate M5 Cod.204555

Art. 14162S

YAMAHA MT10

SLIP-ON - FACTORY S INOX - APPROVED